



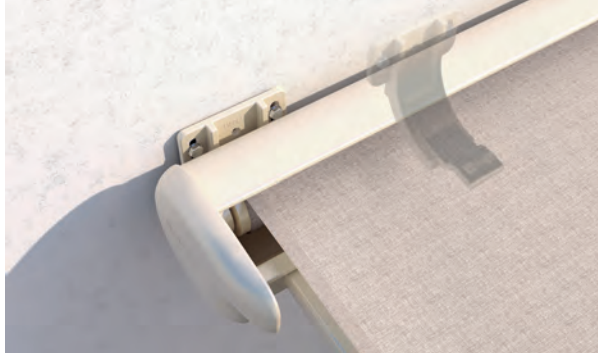
PERGOLINO



PERGOLA & PAVILLON
THE ELEGANT PERGOLA AWNING



PERGOLINO P3500



Variable bracket positioning



Fabric-locking Stobblock



- Very elegant construction
- High mounting flexibility due to adjustable brackets and guide rails
- Integrated water channel for lateral draining of rain water
- High fabric tension thanks to fabric-locking Stobblock
- Can be used in the rain when set to the corresponding incline and the water-resistant fabric is tensioned
- Various floor fastenings for the supports (rain gutter, floor sleeves, foot plate)
- Large area can be shaded – up to 19' 8" projection
- Can be combined with STOBAG aluminium floor systems (I.S.L.A. Concept)

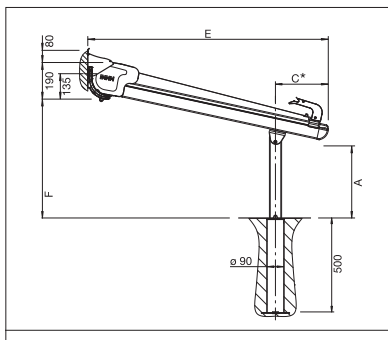
P3500

	min. 6' 7"
	max. 23' 0"*
	min. 6' 7"
	max. 19' 8"
	Post height
	max. 9' 10"

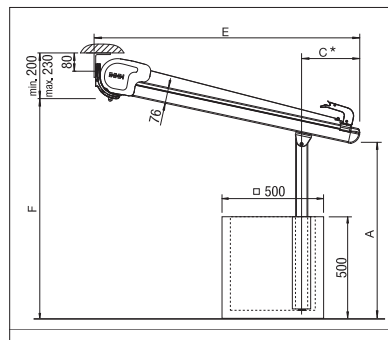
*from 18' 1" with 3 guide rails



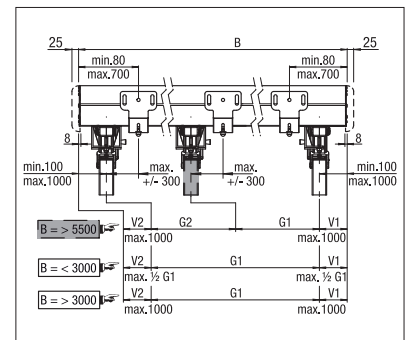
Technical dimensions in millimetres (1 mm = 0.03937")



Wall mounting with floor sleeves



Ceiling mounting with rain gutter trough



With three guides



Constant fabric tensioning



STOBAG aluminium floor system



COLOURS

Discover the diverse options when selecting frame colours.



FABRICS

Choose from a comprehensive range of materials and colours.



ELECTRICS

More convenience thanks to the automated control.



**ENJOY THE TERRACE –
IN ANY WEATHER**